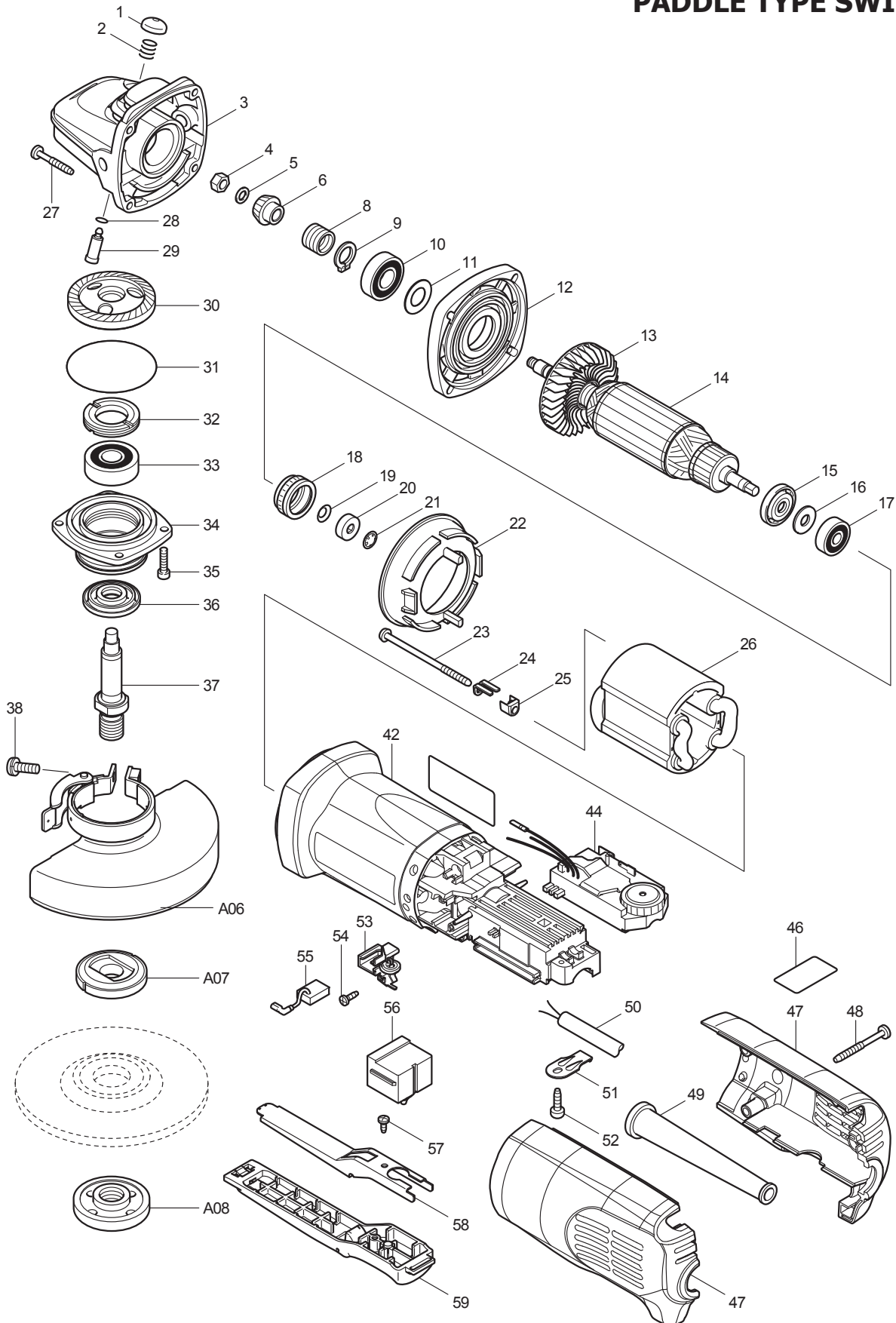




**12 - 2010
9564PCV
4-1/2" GRINDER
PADDLE TYPE SWITCH**



Item No	Type	Ref	Part No	Description	Qty	Unit
1			418067-8	PIN CAP	1	PC.
2			233072-2	COMPRESSION SPRING 8	1	PC.
3			153488-4	GEAR HOUSING COMPLETE	1	PC.
4			931303-0	HEX. NUT M6	1	PC.
5			253077-6	FLAT WASHER 6	1	PC.
6			227513-8	SPIRAL BEVEL GEAR 11	1	PC.
8			233901-9	LOCK SPRING 12	1	PC.
9			961052-5	RETAINING RING S-12	1	PC.
10			210105-0	BALL BEARING 6001LLU	1	PC.
11			253084-9	FLAT WASHER 12	1	PC.
12			317359-1	GEAR HOUSING COVER	1	PC.
13			240033-5	FAN 57	1	PC.
14	2		515336-9	ARMATURE ASS'Y 115V - N/L/A	1	PC.
		INC.		Item No. 13,15-17		
	3		518160-9	ARMATURE ASS'Y 115V	1	PC.
		INC.		Item No. 13,15-17		
15			681656-4	INSULATION WASHER	1	PC.
16			253823-7	FLAT WASHER 7	1	PC.
17			210027-4	BALL BEARING 627DDW	1	PC.
18			421738-8	LABYRINTH RUBBER RING 22	1	PC.
19			267756-0	WAVE WASHER 6	1	PC.
20			688117-5	MAGNET SLEEVE	1	PC.
21			259039-2	SELF LOCK 6	1	PC.
22			413076-2	BAFFLE PLATE	1	PC.
23			266258-3	TAPPING SCREW 4X70	2	PC.
24			344871-8	RETAINER	2	PC.
25			417237-6	INSULATION COVER	2	PC.
26	1		626501-6	FIELD 115V	1	PC.
	2		626596-9	FIELD 115V	1	PC.
27			266257-5	TAPPING SCREW 4X28	4	PC.
28			213048-5	O RING 6	1	PC.
29			256459-1	PIN	1	PC.
30			227514-6	SPIRAL BEVEL GEAR 38	1	PC.
31			213673-2	O RING 52	1	PC.
32			285841-7	BEARING RETAINER	1	PC.
33			211129-9	BALL BEARING 6201DDW	1	PC.
34	1		317570-5	BEARING BOX	1	PC.
	2		318302-3	BEARING BOX	1	PC.
35			265490-6	HEX. SOCKET HEAD BOLT M4X16	4	PC.
36			415300-9	LABYRINTH RING	1	PC.
37			324038-4	SPINDLE	1	PC.
38			251391-4	PAN HEAD SCREW M5X16	1	PC.
42			158518-6	MOTOR HOUSING COMPLETE	1	PC.
44			631788-7	CONTROLLER	1	PC.
46	2		816795-3	INDICATION LABEL	1	PC.
47			188365-1	REAR COVER SET	1	PC.
48			266048-4	TAPPING SCREW 4X40	3	PC.
49			682566-8	CORD GUARD 10	1	PC.
50			664265-4	CORD WITH PLUG 2P-16-2.5M SJ	1	PC.
51			687169-3	STRAIN RELIEF	1	PC.
52			266192-7	TAPPING SCREW 4X14	1	PC.
53			643760-7	BRUSH HOLDER	2	PC.
54			266256-7	TAPPING SCREW PT3X10	4	PC.
55	3		195396-3	A.C. CARBON BRUSH CB-336 2PC/SET (W/ ORIGIN)	1	SET
	4		196454-8	A.C. CARBON BRUSH CB-340 2PC/SET (W/ ORIGIN)	1	SET

Item No	Type	Ref	Part No	Description	Qty	Unit
56			650579-7	SWITCH 1246.3223, SINGLE, BROWN	1	PC.
57			265954-0	TAPPING SCREW BIND PT3X8	1	PC.
58			345504-8	PLATE	1	PC.
59			154584-1	SWITCH LEVER B COMPLETE	1	PC.
100			265083-9	+ FLAT HEAD SCREW M8X11 F/HEAD COVER	1	PC.
D01			652044-2	+BIND SCREW M3.5X5.0	2	PC.
D02			654037-5	INSULATED EYE TERMINAL FT1.25-M3	2	PC.
D03			654285-6	RECEPTACLE	2	PC.
D04			654233-5	INSULATED TERMINAL FT1.25M3TOR	2	PC.
<u>ACCESSORIES</u>			- See Catalogue or visit www.makita.ca for more accessories -			
A01			153489-2	GRIP 36 COMPLETE	1	PC.
A02	1		741423-B	4-1/2" DEPRESSED CENTER WHEEL A24P	1	PC.
	2		D-20781	4 1/2" DEPRESSED CENTER WHEEL A24R	1	PC.
A03			782424-9	LOCK NUT WRENCH 28	1	PC.
A05			417322-5	HEAD COVER (USE ITEM 100 TO SETUP)	1	PC.
A06			135107-4	TOOLLESS WHEEL COVER 115 ASS'Y	1	PC.
		INC.		Item No. 38		
A07			224399-1	INNER FLANGE 45	1	PC.
A08			224568-4	LOCK NUT 5/8-45	1	PC.
A09			195236-5	DUST COVER SET (115mm & 125mm)	1	PC.
		INC.	165596-9	SET PLATE	1	PC.
		INC.	252096-9	HEX. CAP NUT M4	1	PC.
		INC.	451765-1	SUPPORT COVER	1	PC.
		INC.	451766-9	PLATE	1	PC.
		INC.	451767-7	COVER	1	PC.
		INC.	743332-9	BRUSH A	1	PC.
		INC.	743333-7	BRUSH B	1	PC.
A10			195446-4	DUST COVER SCREEN ATTACHMENT SET	1	PC.